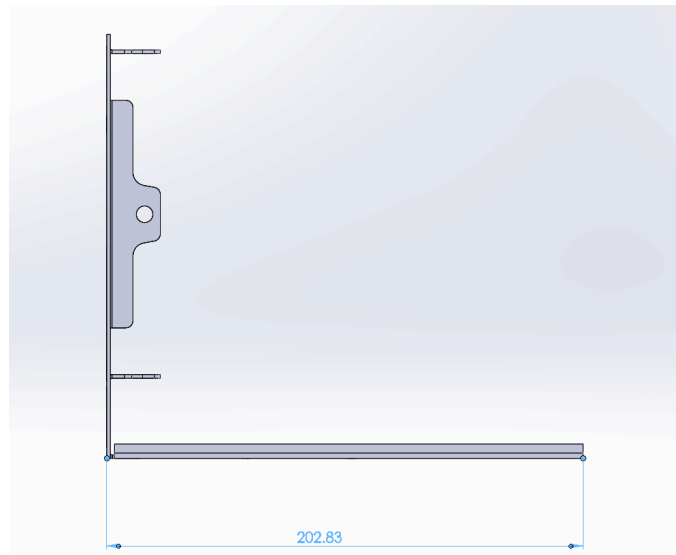
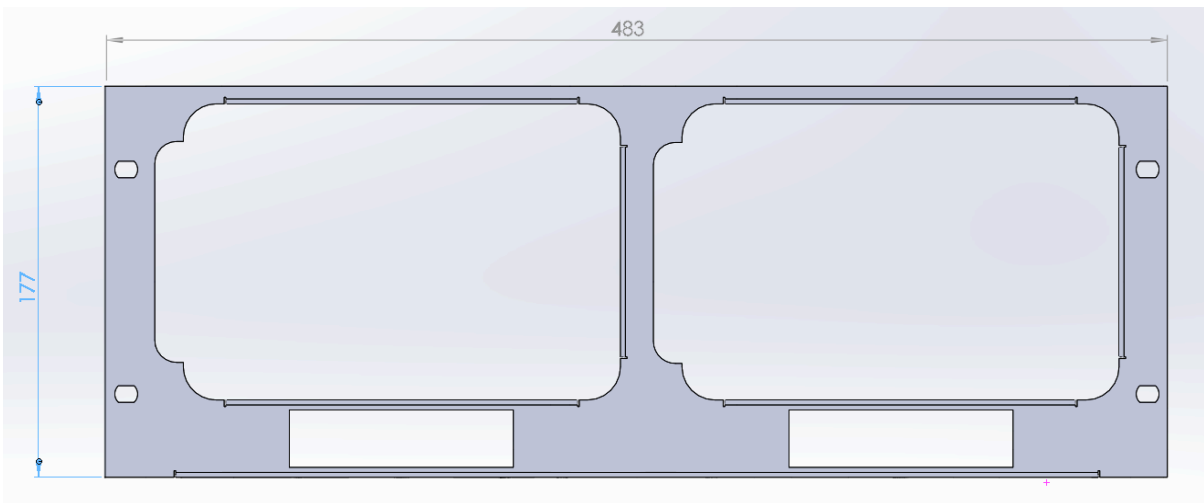


Open CONNECT Rack
Technical Specification

Dimension



Weight

Chassis weight 1.5Kg

c/w Power supply module, 2xHDD caddy, 2x HDD Ext cable

Power Supply specifications

- Voltage – Input 90 ~ 264 VAC
- Voltage – Output 12V
- Current - Output (Max) 9.16A
- Power (Watts) 110 W
- Output Connector Locking Barrel Plug, Positive Center, 2.1mm I.D. x 5.5mm O.D. x 9.5mm
- Input Connector IEC 320-C14
- Operating Temperature 0°C ~ 40°C
- no-load power consumption ≤ 0.21 W
- over voltage and short circuit protections
- Approval Agency UKCA, CE, cULus, FCC, TUV
- ROHS3 Compliant