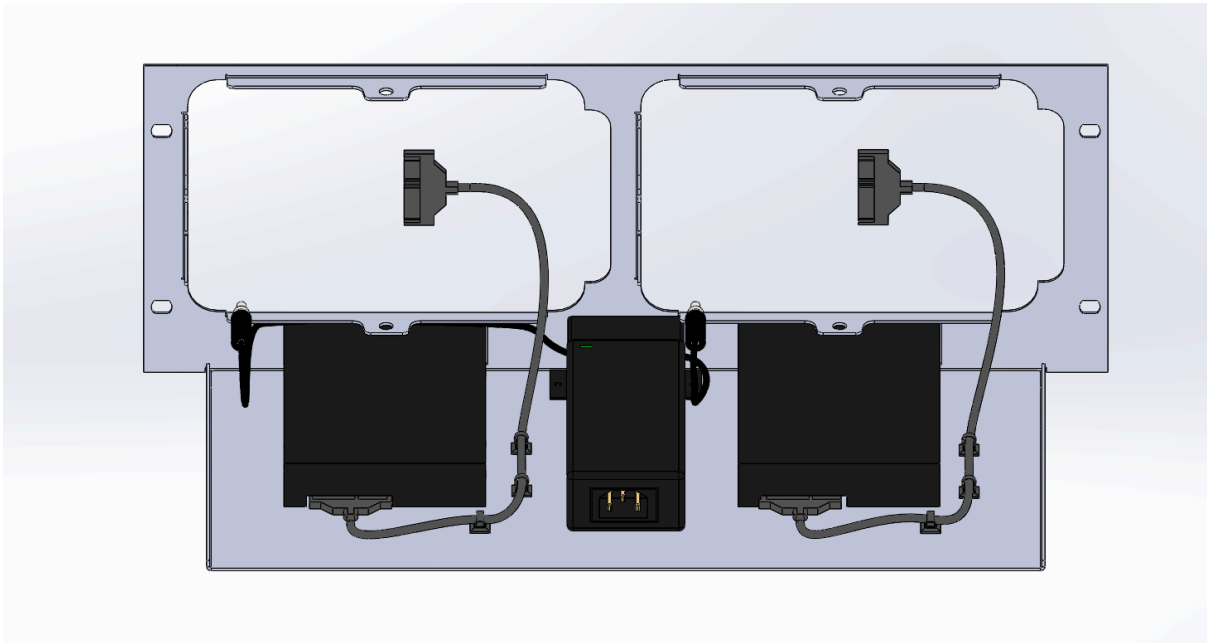
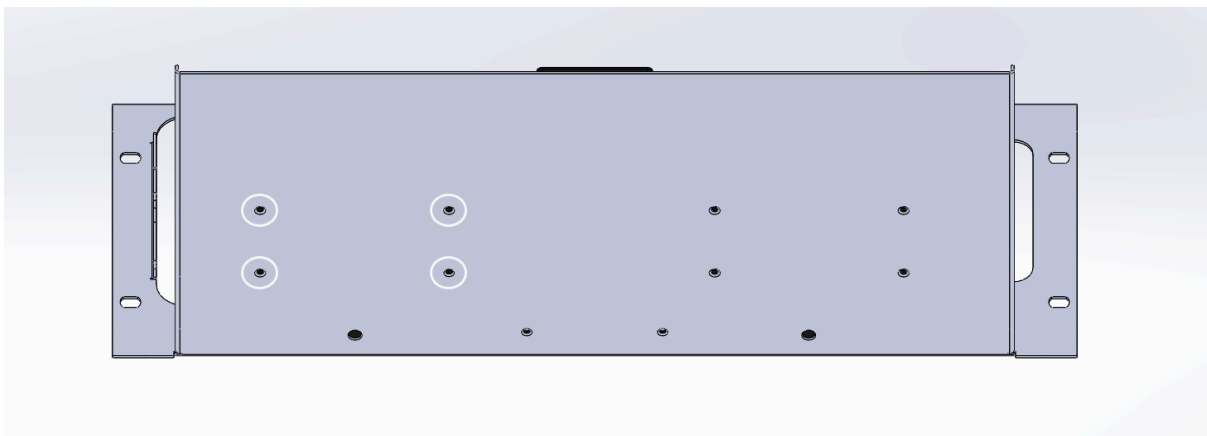


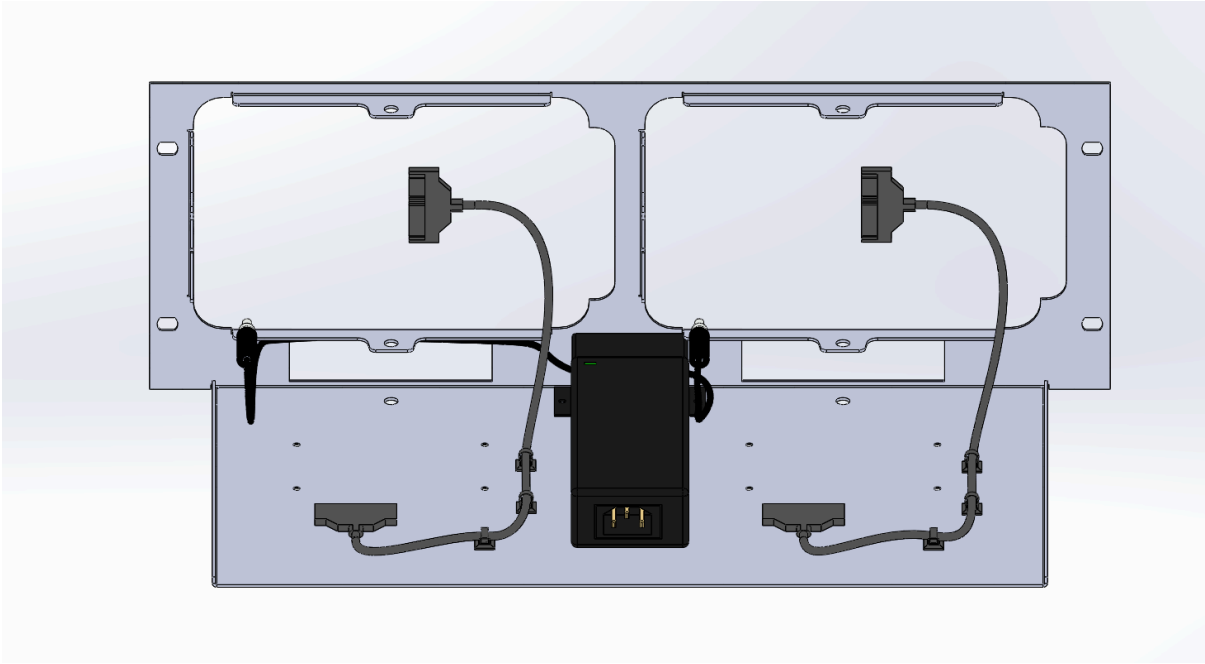
# Open CONNECT Rack Installation Guide

Remove SSD caddy from chassis.

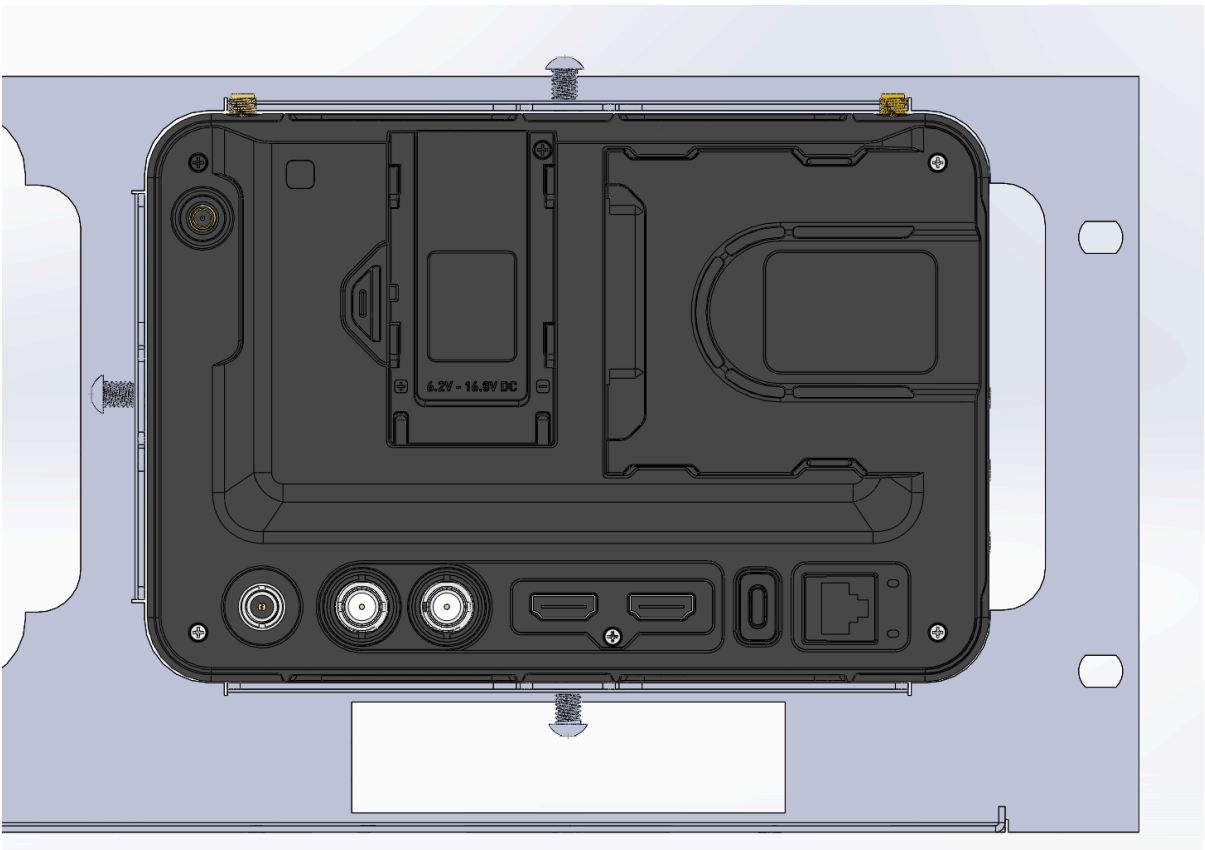


Each caddy is attached with 4xM3 hex screws.

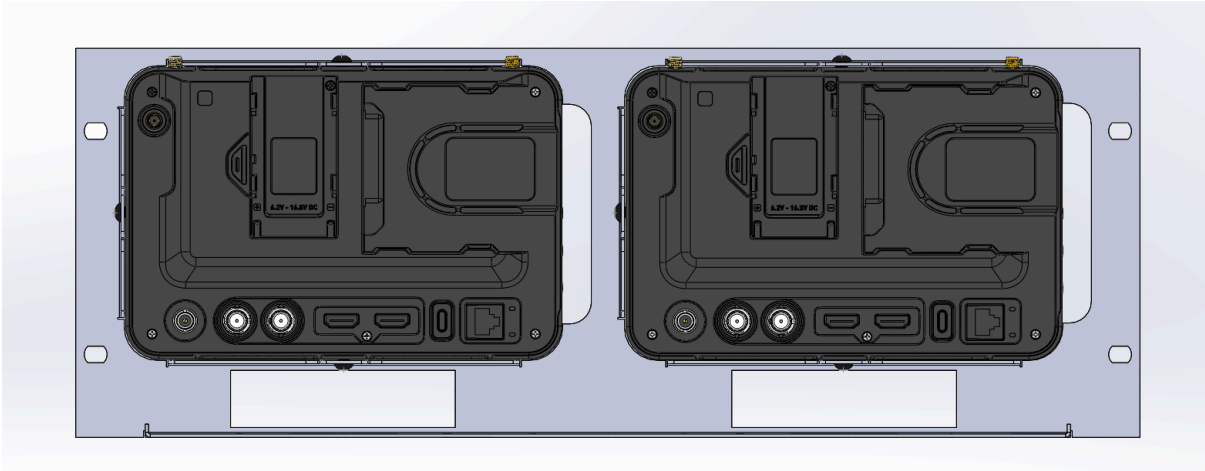




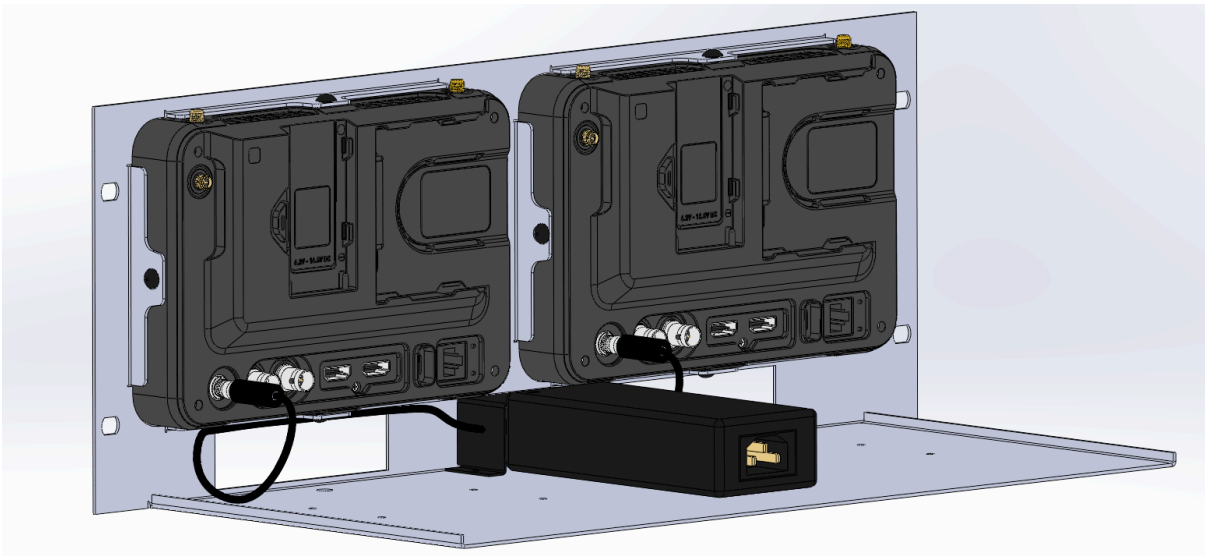
Place connect rack face down onto microfiber towels.  
Insert the shogun to the right first with hex bolts provided.



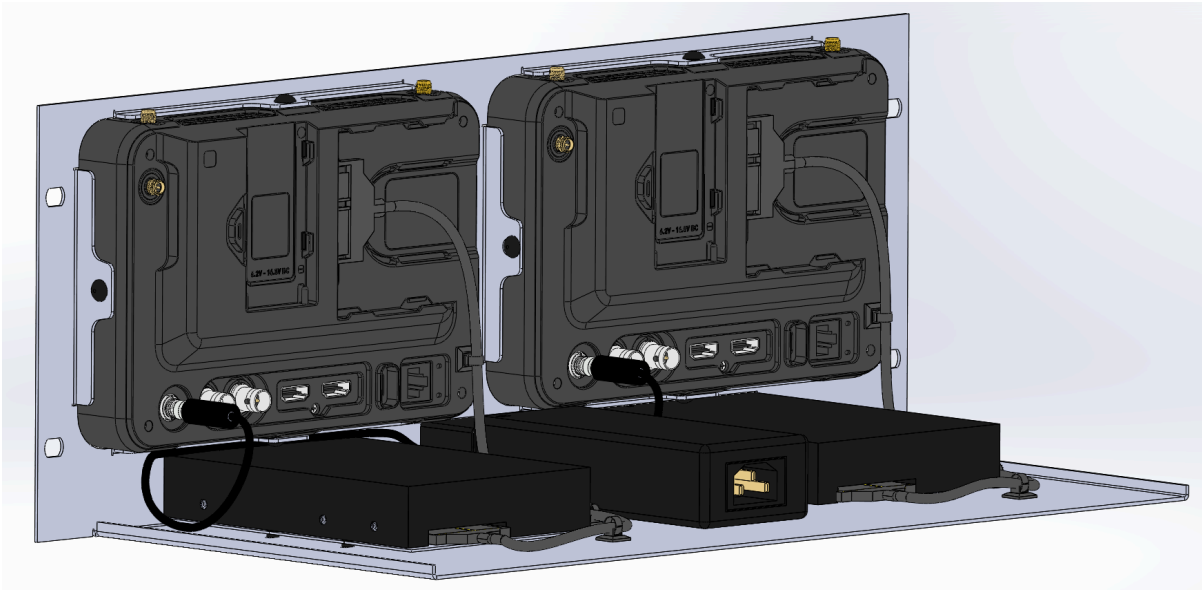
Install adjacent connect as previous.



Ensure power supply cables are connected as illustrated below.

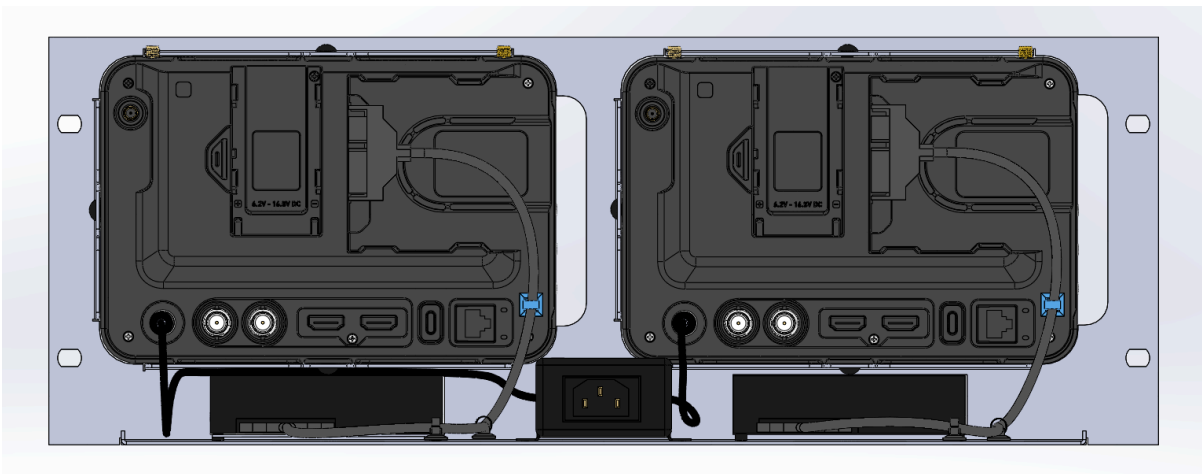


Re-install SSD caddy as before and connect cable to shogun CONNECT.



Take care to not over-tighten SSD caddy hex screws upon re-installation.

Install self-adhesive cable tie base as illustrated.



Install cable tie to secure SSD caddy extension cable.